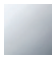





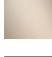



36 805 661



- 160mm projection
- fixed spout
- circular, air-enriched flow
- hole diameter 60 mm
- rosette Ø 78 mm
- max. spout flow rate 5.7 l/min
- lead-free
- with single-point mounting

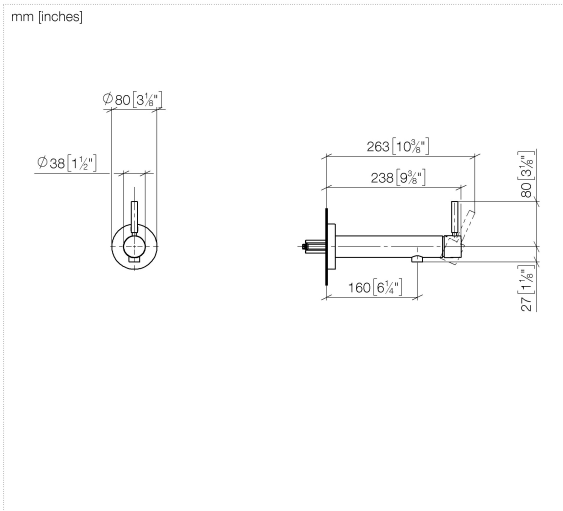
	Chrome	36 805 661-00
	Brushed Platinum	36 805 661-06
	Dark Chrome	36 805 661-19
	Light Gold	36 805 661-26
	Brushed Light Gold	36 805 661-27
	Matte Black	36 805 661-33
	Brushed Bronze	36 805 661-42
	Brushed Champagne (22kt Gold)	36 805 661-46
	Champagne (22kt Gold)	36 805 661-47
	Brushed Chrome	36 805 661-93
	Brushed Dark Platinum	36 805 661-99

Required miscellaneous

- Concealed wall mounting -** 35 050 970 90
- min. recess depth 80 mm
 - max. recess depth 105 mm



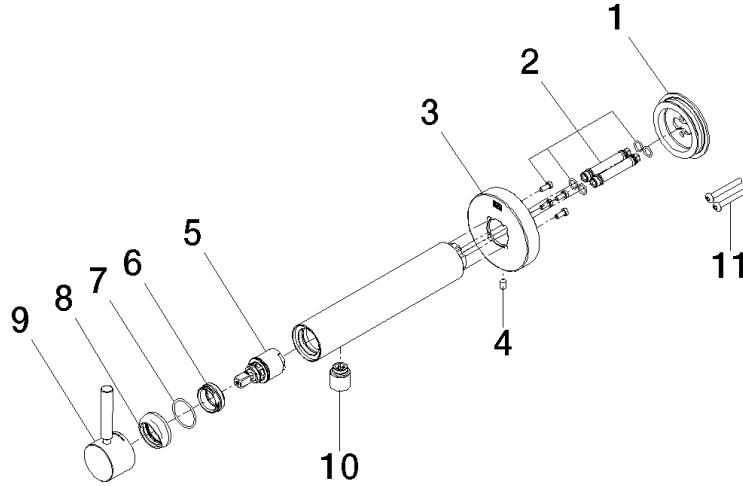
36 805 661



Flow rate chart



36 805 661



Spare parts list

No.	Item Number	Name	Quantity used	Delivery time
1	90 30 11 232 00 90	disc	1	10
2	90 24 01 046 01 90	connection	2	10
3	90 27 66 026 00-00	rosette	1	10
4	09 31 11 144 90	pin	1	2
5	90 15 05 044 00 90	cartridge	1	2
6	09 24 04 266 90	nut	1	2
7	09 14 10 120 90	seal	1	2
8	09 28 30 043-00	cover	1	10
9	90 20 66 024 00-00	handle	1	10
10	90 23 01 168 00-00	aerator	1	10
11	90 30 30 229 00 90	screw	2	10